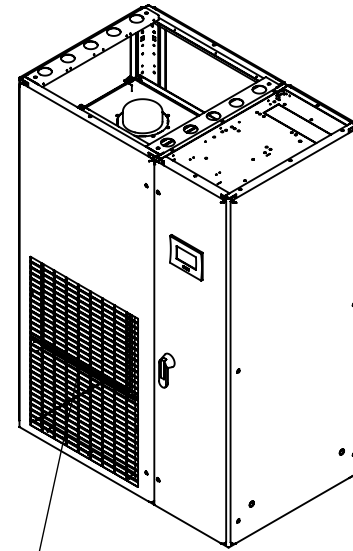
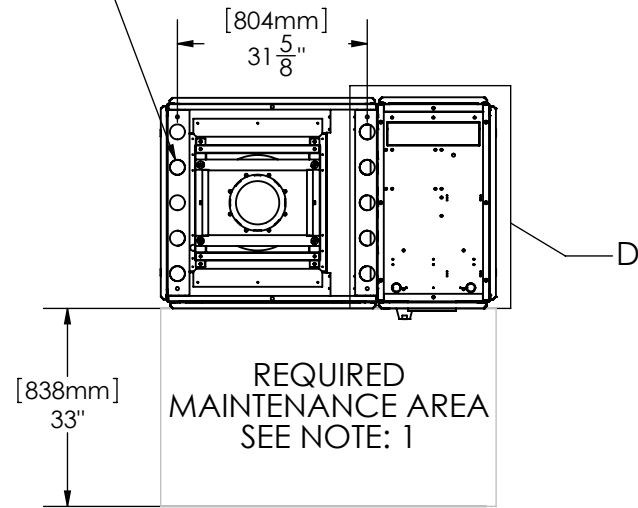


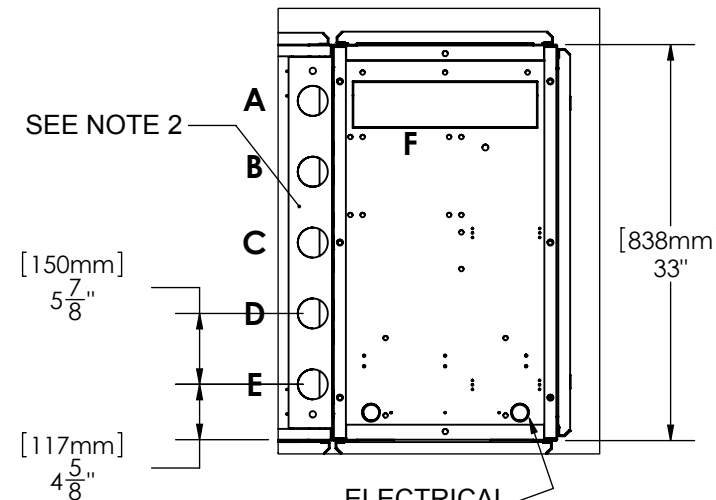
DATE PRINTED: 3/28/2013

REVISIONS			
REV.	DESCRIPTION	DATE	APPROVED
A	BOM TABLE UPDATE TO REFLECT UP-REV	01/11/2010	CL
B	MADE FOR RH	01/21/2010	CL

ALL OPENINGS ARE FACTORY SEALED WITH PLASTIC SNAP-IN PLUGS.



SEE NOTE: 3 FOR FILTERS



ELECTRICAL SEE NOTE: 4

DETAIL D SCALE 1 : 16

PIPING CONNECTION SIZES

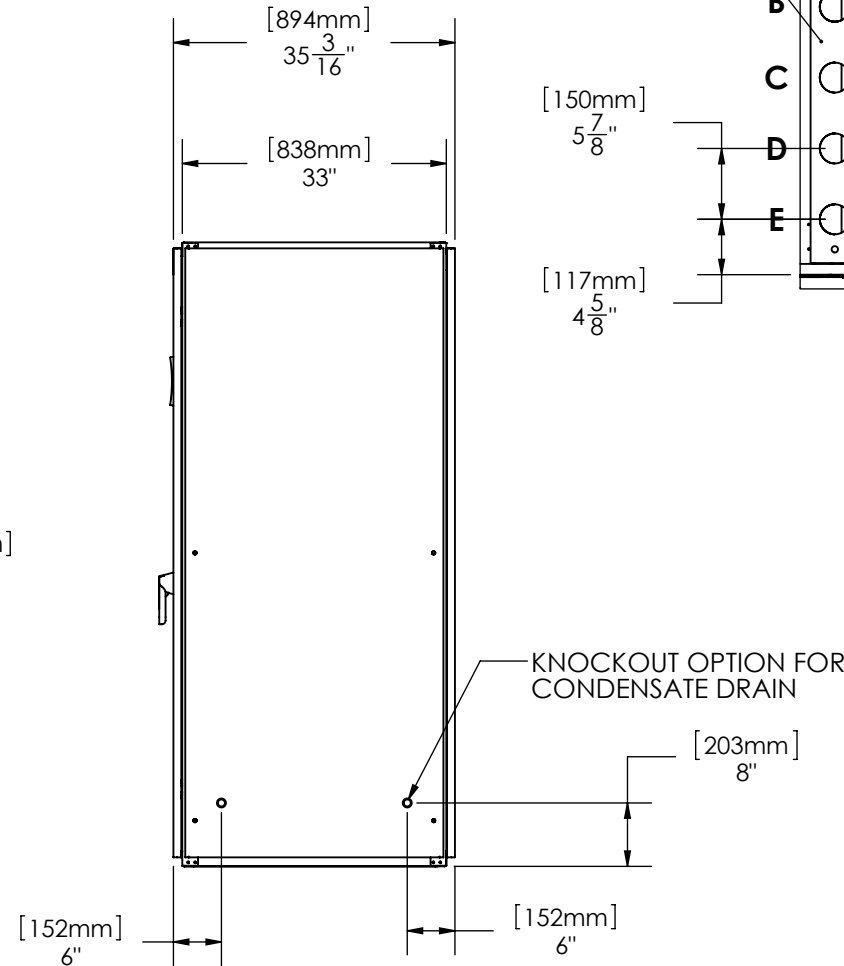
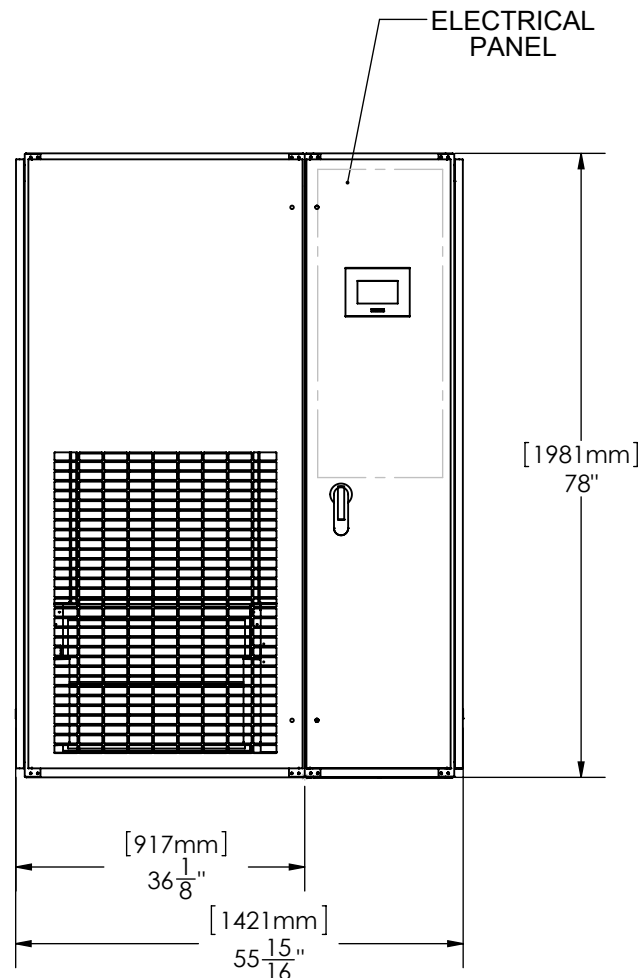
SINGLE CIRCUIT CHILLED WATER PCU XXX
A = HOT WATER REHEAT Ø 7/8" - RETURN
B = HOT WATER REHEAT Ø 7/8" - SUPPLY
C = CHILLED WATER Ø 1 1/8" - SUPPLY
D = CONDENSATE DRAIN Ø 3/4"
E = CHILLED WATER Ø 1 1/8" - RETURN
F = HUMIDIFIER WATER SUPPLY Ø 1/4"

DUAL CIRCUIT CHILLED WATER PJU XXX
A = CHILLED WATER B Ø 1 1/8" - RETURN
B = CHILLED WATER B Ø 1 1/8" - SUPPLY
C = CHILLED WATER A Ø 1 1/8" - SUPPLY
D = CONDENSATE DRAIN Ø 3/4"
E = CHILLED WATER A Ø 1 1/8" - RETURN
F = HUMIDIFIER WATER SUPPLY Ø 1/4"

NOTES:

- FANS, MOTORS, VALVES AND ELECTRICAL PANEL ARE FRONT SERVICEABLE.
- ALL PIPING THROUGH TOP PIPING HOLES UNLESS SPECIFIED AT TIME OF ORDER. UNUSED HOLES WILL BE FACTORY PLUGGED.
- FILTERS.
QTY=1, 20x24x2.
QTY=2, 18x24x2.
- ELECTRICAL WIRING THROUGH TOP OR BOTTOM HOLES. ALL ENTRY POINTS MUST BE SEALED BY CONTRACTOR.

NOTES:



CONFIDENTIAL: THE COPYRIGHT OF THIS DOCUMENT IS RESERVED BY CLIMATEWORX. THIS DOCUMENT IS ISSUED ON THE CONDITION THAT IT IS NOT COPIED, REPRODUCED OR DISCLOSED TO ANY OTHER PARTY WITHOUT WRITTEN CONSENT OF CLIMATEWORX.

UNLESS OTHERWISE SPECIFIED DIMENSIONS ARE IN INCHES
TOLERANCES:
FRACTIONAL ± 1/8
ANGULAR: ± 0.5° BEND ± 2°
DECIMAL
XXX = ±.010
XX = ±.020
X = ±.030
HOLE DIA. +.003/-0.000

THIRD ANGLE PROJECTION



	BY	DATE
DRAWN	CL	12/16/009
CHECKED	GJN	12/16/009
CNC PROGRAM		
FINISH:		
MATERIAL	N/A	THICKNESS N/A



FINAL ASSEMBLY	
P-SERIES, UPFLOW	
PCU012, PCU015	
PART NAME	
C-SIZE, PLUS A SUBMITTAL	
SIZE	DWG. NO.
B	SPDU-CPA
REV.	SEE TABLE
BD N/A	K
SCALE: 1:20	SHEET 1 OF 1