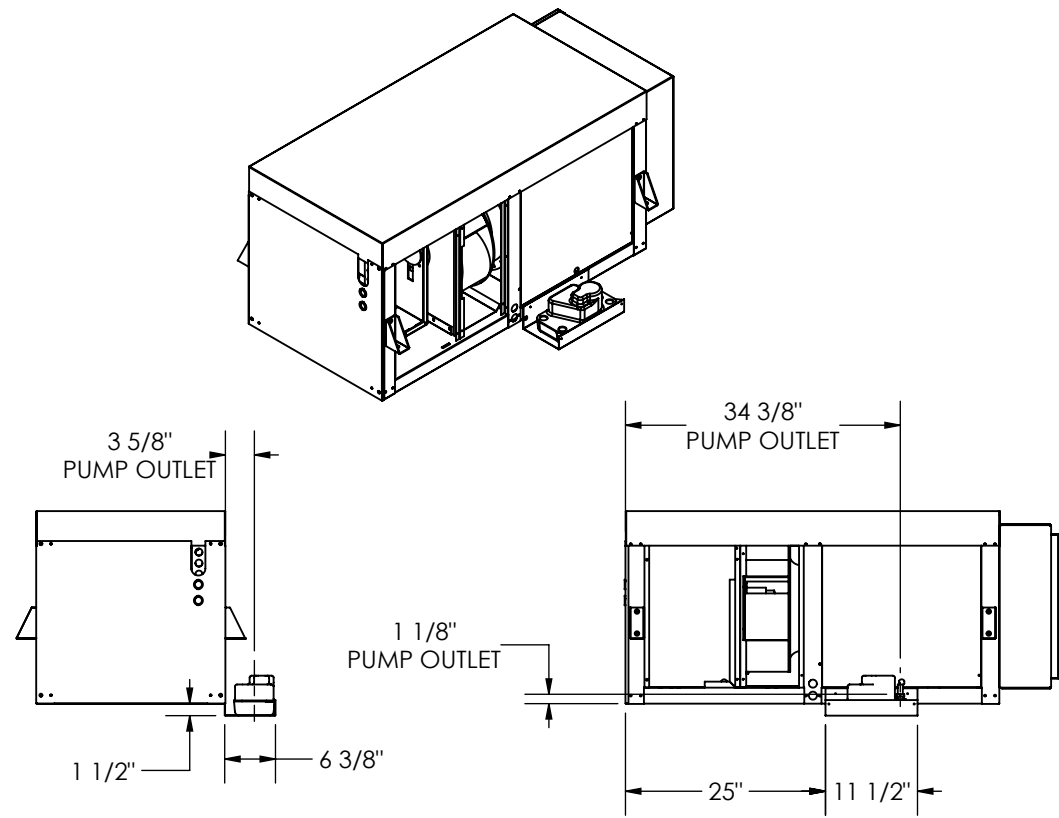


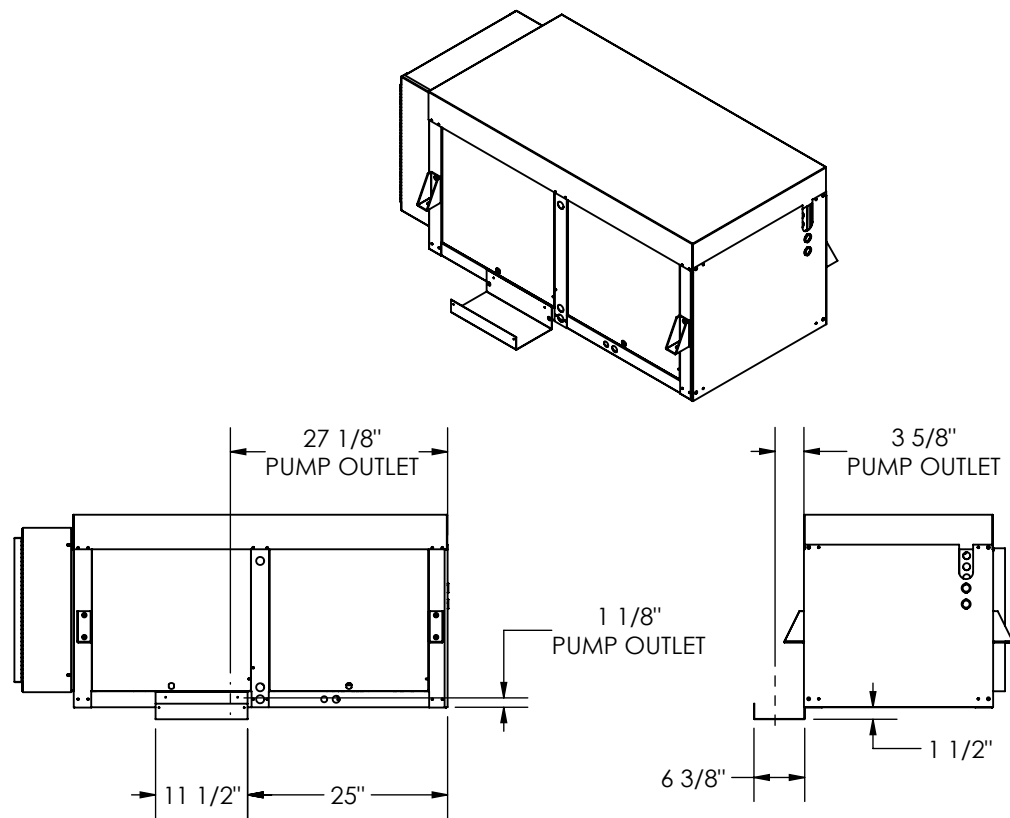
DATE PRINTED: 10/4/2016

REVISIONS			
REV.	DESCRIPTION	DATE	APPROVED

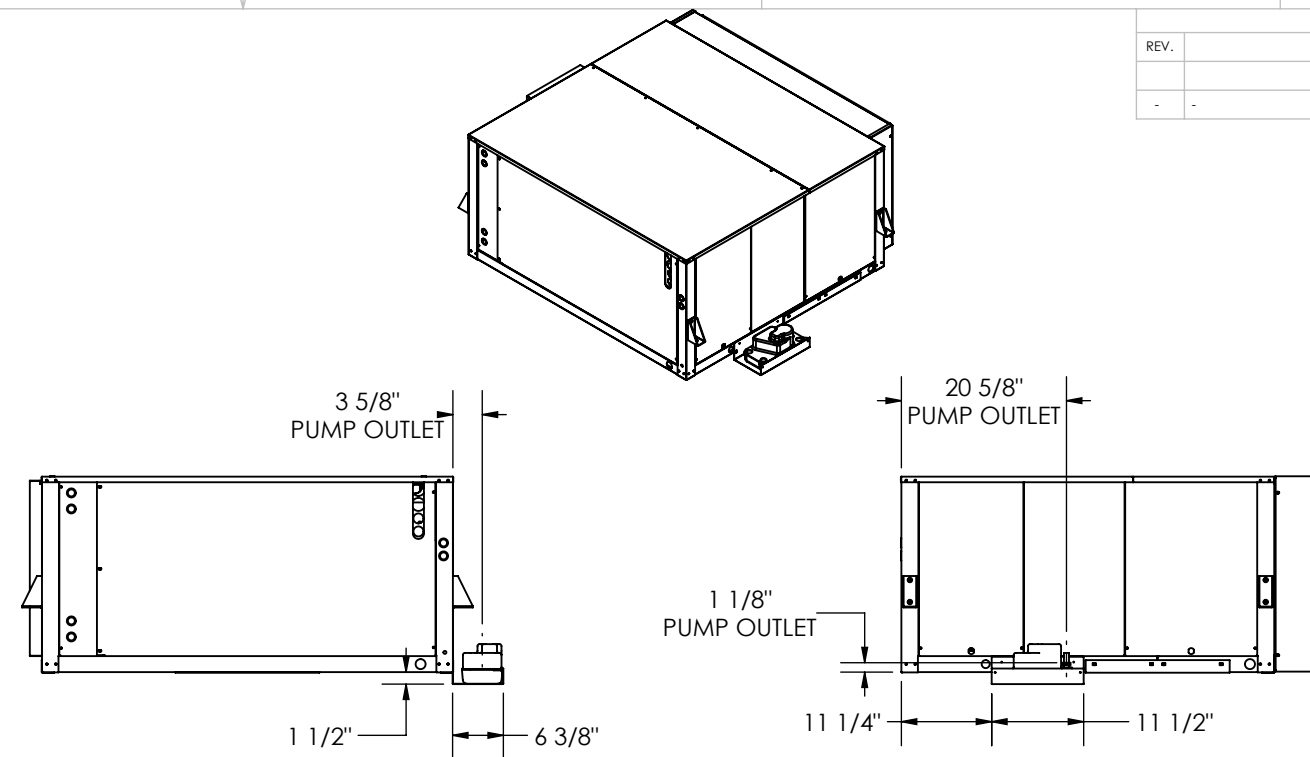
NOTES:



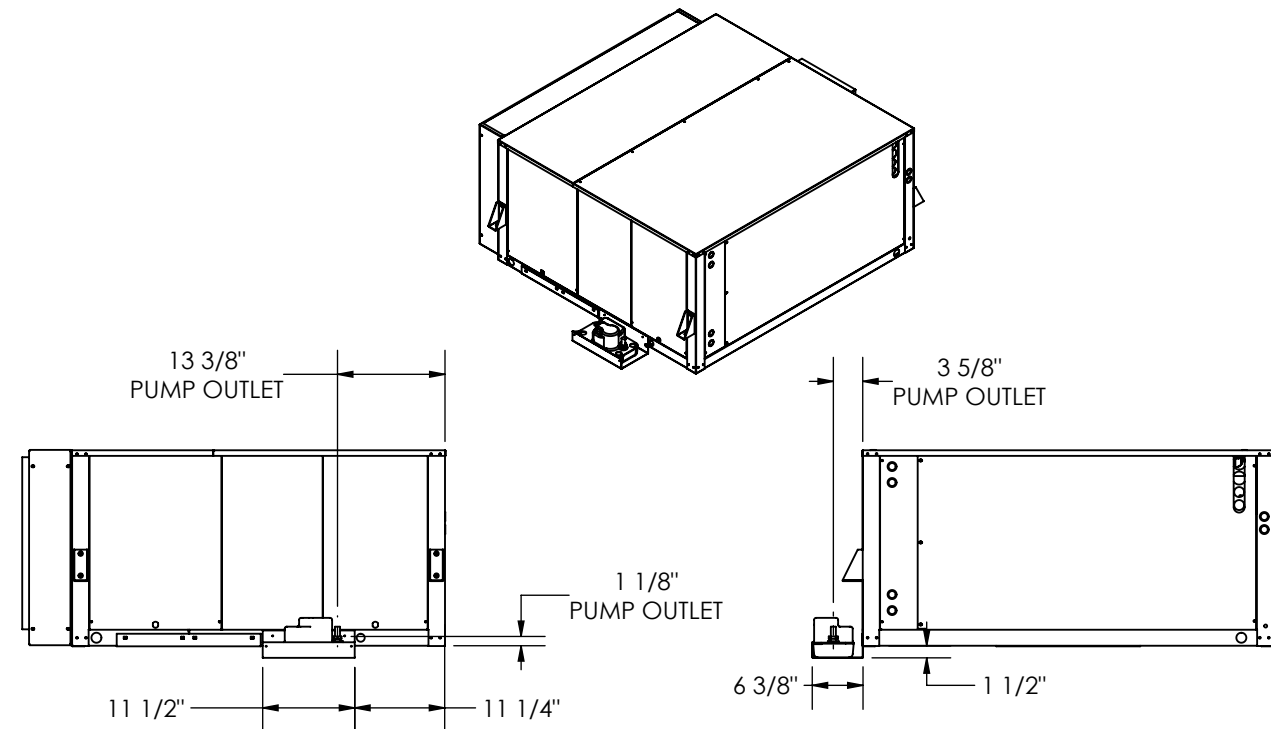
**1-3 TON - REAR SIDE MOUNTED**



**1-3 TON - FRONT SIDE MOUNTED**



**4 & 5 TON - REAR SIDE MOUNTED FRONT DISCHARGE ONLY**



**4 & 5 TON - FRONT SIDE MOUNTED REAR DISCHARGE ONLY**

UNLESS OTHERWISE SPECIFIED  
DIMENSIONS ARE IN INCHES  
TOLERANCES:  
FRACTIONAL ± 1/8  
ANGULAR: ± 0.5° BEND ± 2°  
DECIMAL  
XXX = ±.010  
XX = ±.020  
X = ±.030  
HOLE DIA. +.003/-0.000

THIRD ANGLE PROJECTION

	BY	DATE
DRAWN	MG	2010-03-11
CHECKED	PS	2010-03-11
CNC PROGRAM		
FINISH:		
MATERIAL		THICKNESS

		FINAL ASSEMBLY	
		SERIES 11 - EXTERNAL MOUNTED CONDENSATE PUMP	
PART NAME		SERIES 11	
SIZE	DWG. NO.	REV.	SEE TABLE
<b>B</b>	S11-CPMTG		
BD	K	SCALE: 1:20	SHEET 1 OF 1

**CONFIDENTIAL:** THE COPYRIGHT OF THIS DOCUMENT IS RESERVED BY CLIMATEWORX. THIS DOCUMENT IS ISSUED ON THE CONDITION THAT IT IS NOT COPIED, REPRODUCED OR DISCLOSED TO ANY OTHER PARTY WITHOUT WRITTEN CONSENT OF CLIMATEWORX.