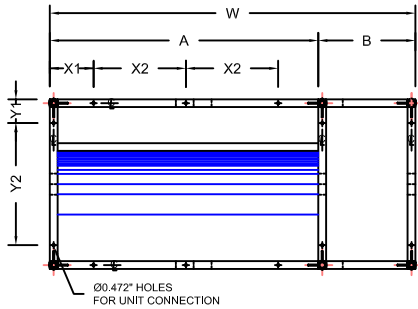
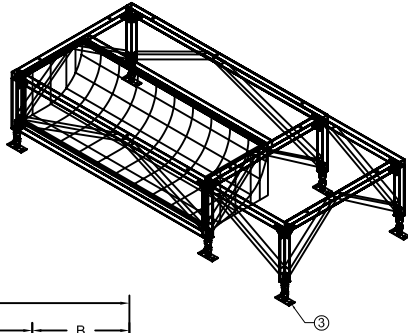
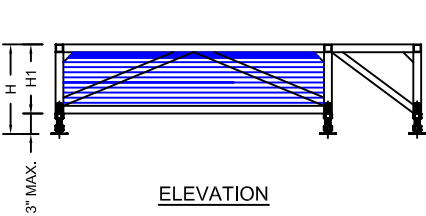


SERIES 9 (2+1) & (3+1) [MODULE "A" & "B"]

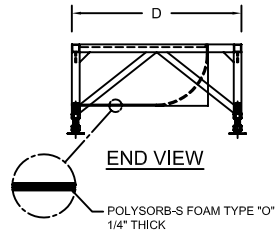
P/N: 9S408-01
P/N: 9S408-02
P/N: 9S408-03
P/N: 9S408-04



PLAN



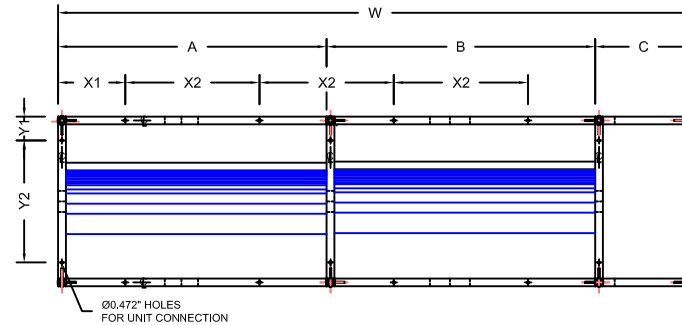
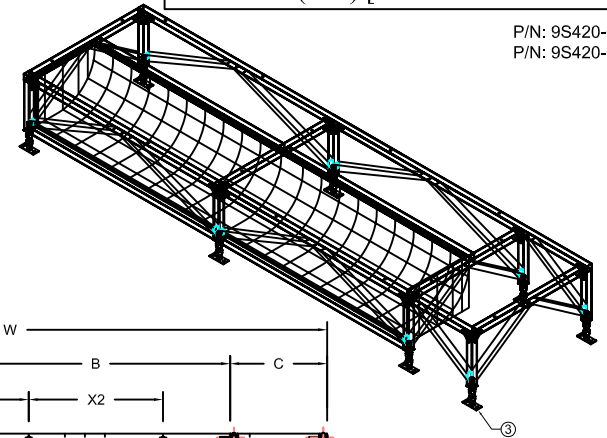
ELEVATION



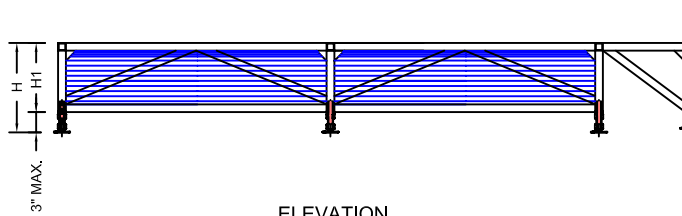
END VIEW

SERIES 9 (4+1) [MODULE "A" & "B"]

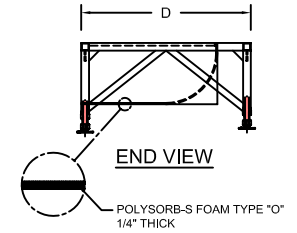
P/N: 9S420-01
P/N: 9S420-02



PLAN



ELEVATION



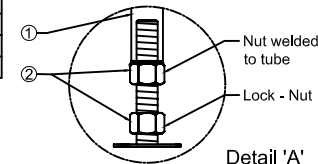
END VIEW

| ITEM NO. | DESCRIPTION | W | D | H | H1 | A | B | C | X1 | X2 | Y1 | Y2 |
|----------|---------------------------------------|----------|---------|-----------|----------|---------|---------|---------|---------|---------|--------|---------|
| 9S408-01 | FLOOR STAND Series 9 (2+1) "A" Module | 70.747" | 32.835" | H ±1.000" | H-3.000" | 51.968" | 18.779" | - | 12.992" | 25.985" | 4.606" | 23.622" |
| 9S408-02 | FLOOR STAND Series 9 (2+1) "B" Module | 79.921" | 32.835" | H ±1.000" | H-3.000" | 51.968" | 27.953" | - | 12.992" | 25.985" | 4.606" | 23.622" |
| 9S408-03 | FLOOR STAND Series 9 (3+1) "A" Module | 96.732" | 32.835" | H ±1.000" | H-3.000" | 77.953" | 18.779" | - | 12.992" | 25.985" | 4.606" | 23.622" |
| 9S408-04 | FLOOR STAND Series 9 (3+1) "B" Module | 105.906" | 32.835" | H ±1.000" | H-3.000" | 77.953" | 27.953" | - | 12.992" | 25.985" | 4.606" | 23.622" |
| 9S420-01 | FLOOR STAND Series 9 (4+1) "A" Module | 122.715" | 32.835" | H ±1.000" | H-3.000" | 47.250" | 56.686" | 18.779" | 12.992" | 25.985" | 4.606" | 23.622" |
| 9S420-02 | FLOOR STAND Series 9 (4+1) "B" Module | 131.889" | 32.835" | H ±1.000" | H-3.000" | 47.250" | 56.686" | 27.953" | 12.992" | 25.985" | 4.606" | 23.622" |

NOTE: H - TOTAL HEIGHT OF FLOOR STAND (ADJUSTABLE TO ±1.000")
H1 - HEIGHT OF FLOOR STAND w/o ADJUSTABLE PEDESTAL

MATERIAL: FRAME - 1.50" MILD STEEL SQUARE TUBE

FINISH: PAINTED - POWDERED COATED - BLACK



Detail 'A'

| ITEM | MATERIAL & COMPONENT |
|------|--|
| ① | 1.500" Mild Steel Square Tube |
| ② | 3/4" Heavy Semi-finished Hex Nut (Coarse thread) |
| ③ | Adjustable Pedestal (P/N: 9C401) |