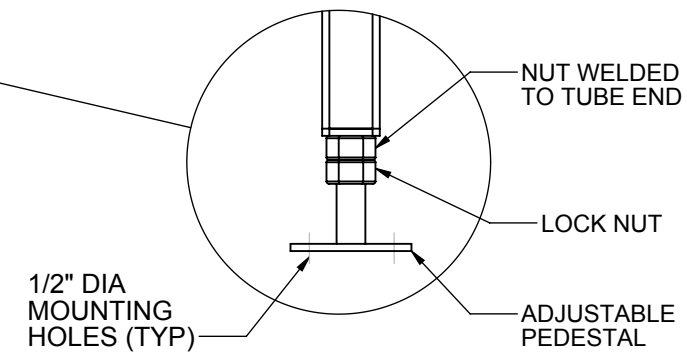
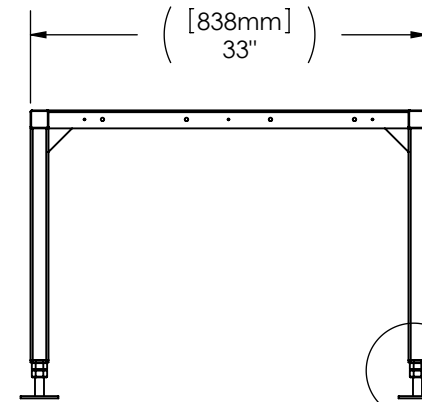
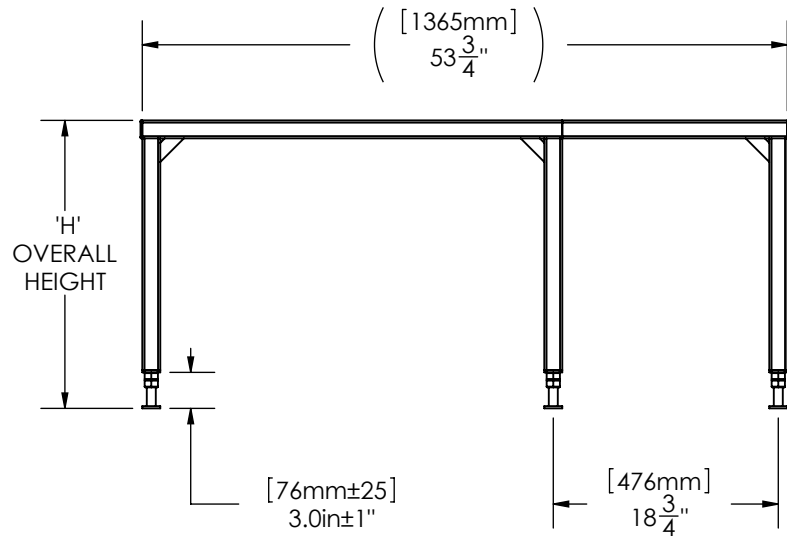
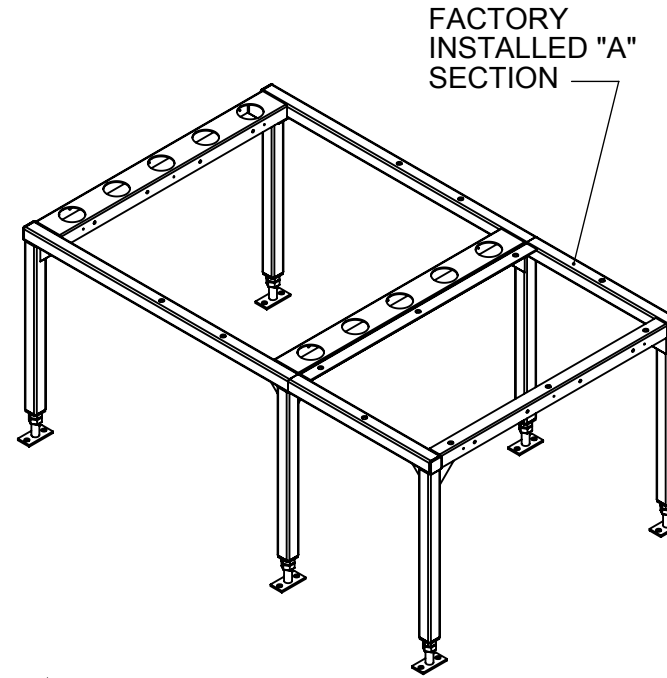
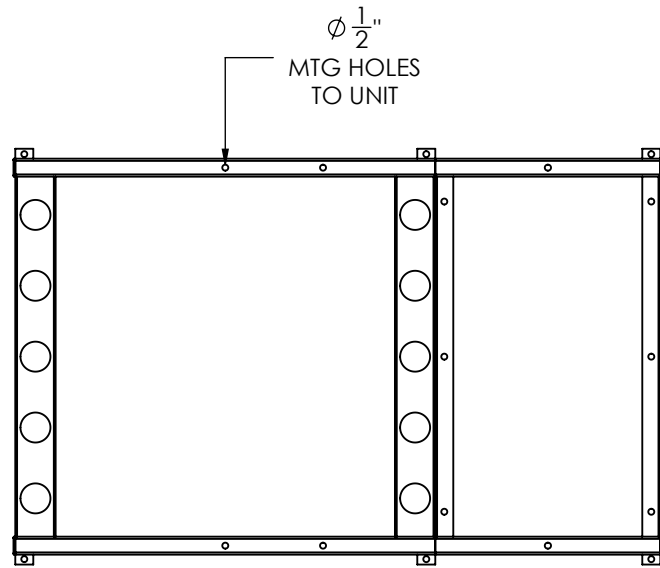


DATE PRINTED: 4/9/2013

REVISIONS			
REV.	DESCRIPTION	DATE	APPROVED
-	-	-	-
-	-	-	-



DETAIL A
SCALE 1 : 5

NOTES:

NOTES:

FLOORSTAND MATERIAL:
STRUCTURAL STEEL TUBE 1.5"x1.5"x1/8" WALL THICKNESS

FLOORSTAND FINISH:
BLACK SMOOTH POWDERCOAT

OVERALL HEIGHT:
MODEL AS SHOWN, SEE TABLE. OTHER HEIGHTS MAY NOT BE AS SHOWN AND MAY BE ON A DIFFERENT DRAWING.
HEIGHTS NOT LISTED AVAILABLE ON REQUEST.

OVERALL HEIGHT "H"	PART NUMBER	PART NUMBER FOR PLUS A
8"	780-100-0230	780-100-0229
10"	780-100-0118	780-100-0116
12"	780-100-0070	780-100-0068
18"	780-100-0080	780-100-0078
24"	780-100-0090	780-100-0088

UNLESS OTHERWISE SPECIFIED
DIMENSIONS ARE IN INCHES
TOLERANCES:
FRACTIONAL ± 1/8
ANGULAR: ± 0.5° BEND ± 2°
DECIMAL
XXX = ±.010
XX = ±.020
X = ±.030
HOLE DIA. +.003/-0.000

	BY	DATE
DRAWN	I.Z.	11/06/2009
CHECKED	G.N.	11/06/2009

CNC PROGRAM	

FINISH: BLACK SMOOTH POWDERCOAT	
MATERIAL N/A	THICKNESS N/A

FINAL ASSEMBLY FLOOR STAND, 12", 18", 24", PLUS A	
SUBMITTAL DRAWING	
PART NAME SEE TABLE	
SIZE DWG. NO. B SPDF-CPA	REV. SEE TABLE
BD N/A K	SCALE: 1:16 SHEET 1 OF 1

CONFIDENTIAL: THE COPYRIGHT OF THIS DOCUMENT IS RESERVED BY CLIMATEWORX. THIS DOCUMENT IS ISSUED ON THE CONDITION THAT IT IS NOT COPIED, REPRODUCED OR DISCLOSED TO ANY OTHER PARTY WITHOUT WRITTEN CONSENT OF CLIMATEWORX.

