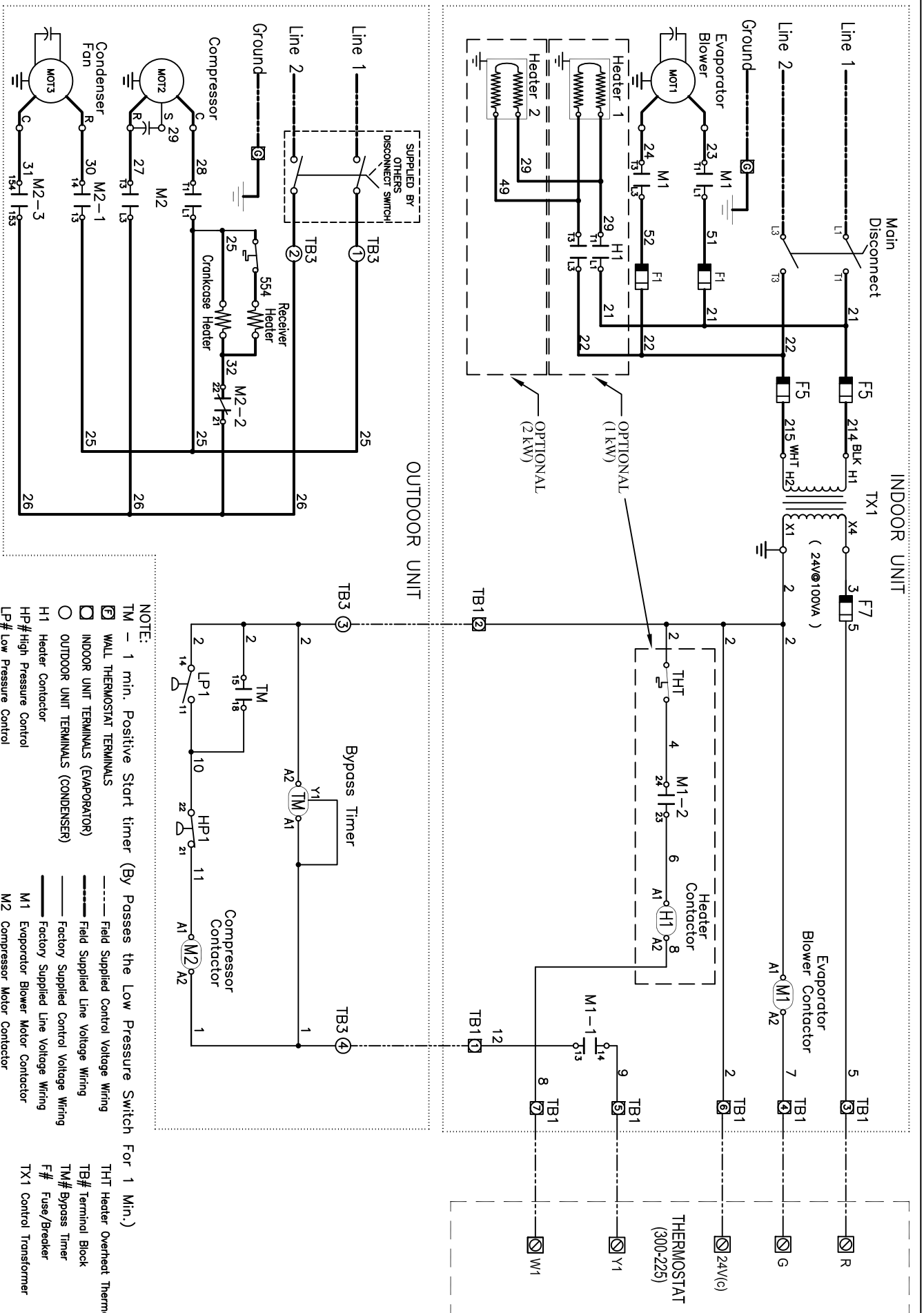


REV D: T/STAT ADDED. 7-26-2010
 REV E: OPTIONAL REHEAT. AL. 4/3/2013

CONTROLLED*

TITLE
Electrical Schematic - Series 7 Thermostat Control - Single Phase Unit w/ Optional heater(s)

DRAWN	DATE	APPROVED	DATE
SHEET 1 OF 1	JAN 15/08	FL	JUL 27/2010
SCALE	N.T.S.	DWG. NO.	STES609
		REV.	E



- NOTE:
 TM - 1 min. Positive Start timer (By Passes the Low Pressure Switch For 1 Min.)
- WALL THERMOSTAT TERMINALS
 - INDOOR UNIT TERMINALS (EVAPORATOR)
 - OUTDOOR UNIT TERMINALS (CONDENSER)
 - H1 Header Contactor
 - HP# High Pressure Control
 - LP# Low Pressure Control
 - M1 Evaporator Blower Motor Contactor
 - M2 Compressor Motor Contactor
 - TH1 Header Overheat Thermostat
 - TB# Terminal Block
 - TM# Bypass Timer
 - F# Fuse/Breaker
 - TX1 Control Transformer

- Field Supplied Control Voltage Wiring
- Field Supplied Line Voltage Wiring
- Factory Supplied Control Voltage Wiring
- Factory Supplied Line Voltage Wiring