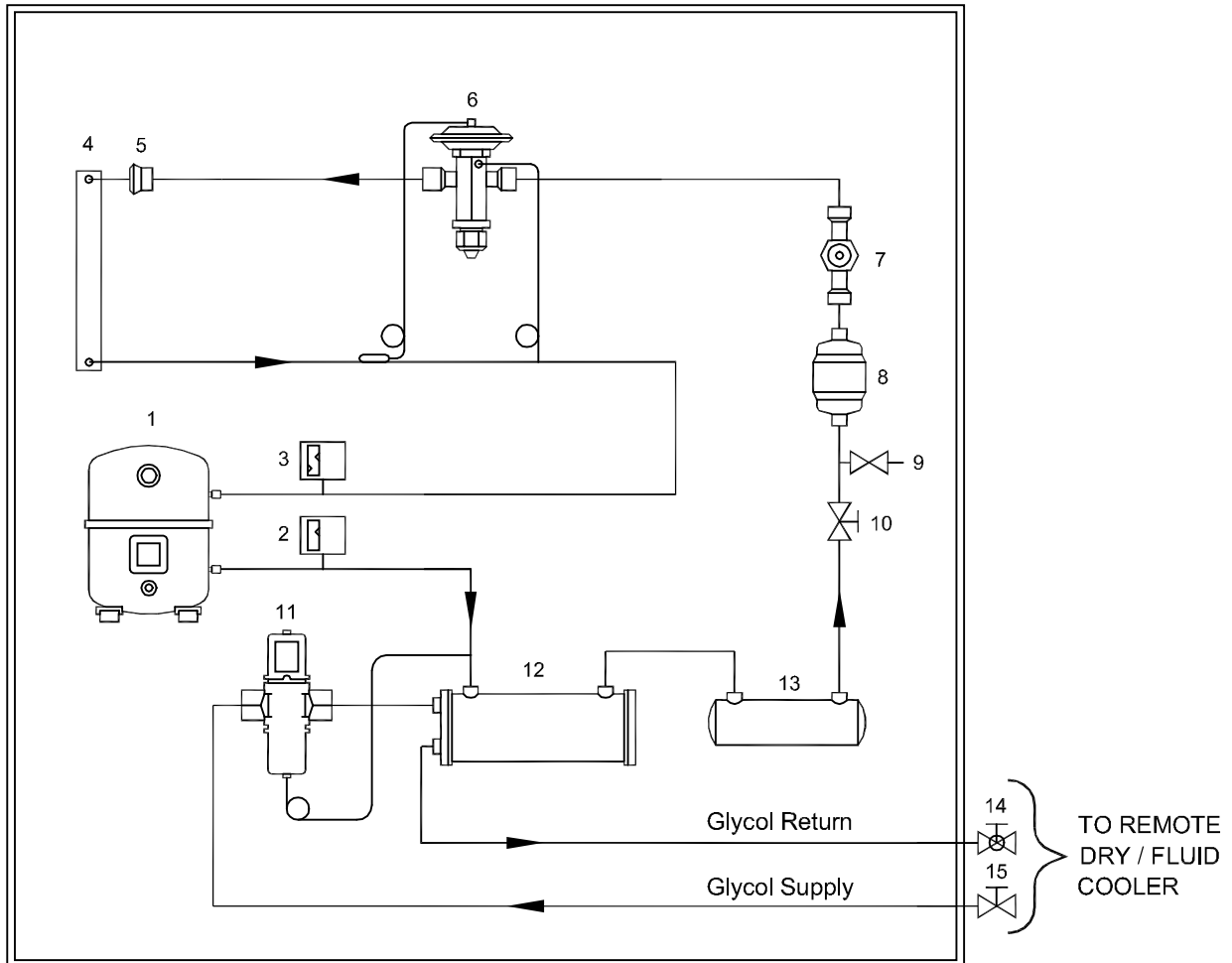


CEILING MOUNTED INDOOR EVAPORATING UNIT

COMPONENTS:

- | | | | |
|----|------------------------------|----|--|
| 1 | Compressor | 11 | Glycol regulating valve (Standard 2-way, optional 3-way) |
| 2 | High pressure switch | 12 | Glycol cooled condenser |
| 3 | Low pressure switch | 13 | Receiver |
| 4 | Evaporator | 14 | Globe valve (supplied by others) |
| 5 | Refrigerator distributor | 15 | Gate valve (supplied by others) |
| 6 | Thermostatic expansion valve | | |
| 7 | Sight glass | | |
| 8 | Filter-drier | | |
| 9 | Access valve | | |
| 10 | Shut off valve | | |