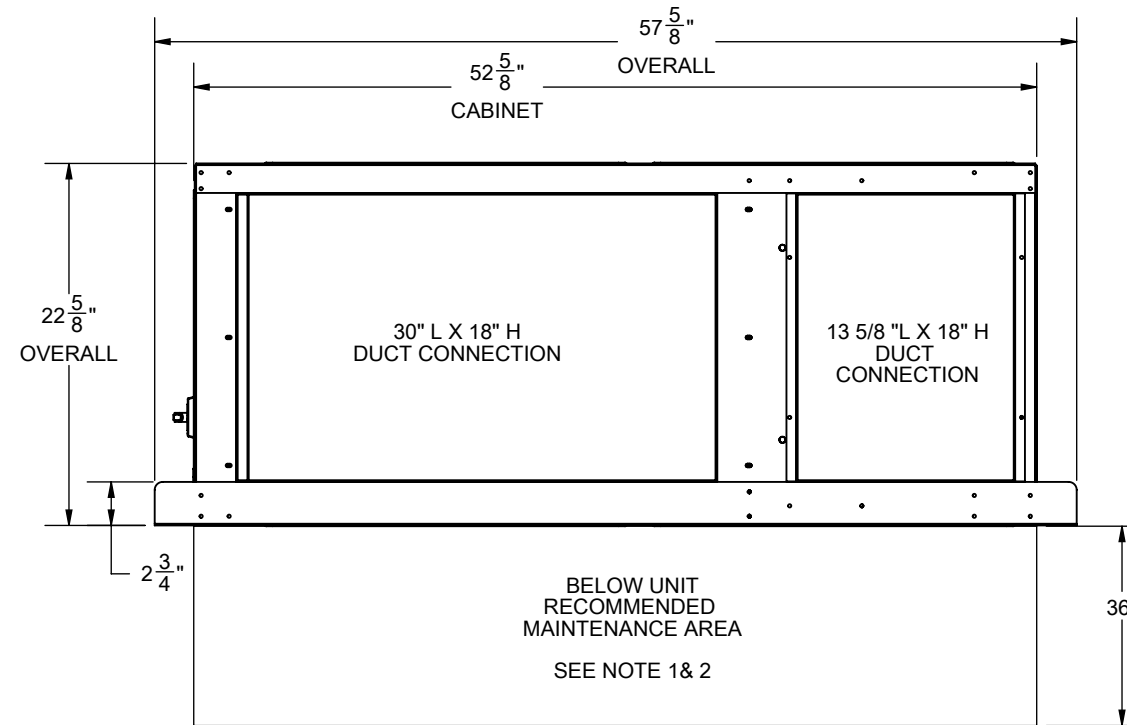
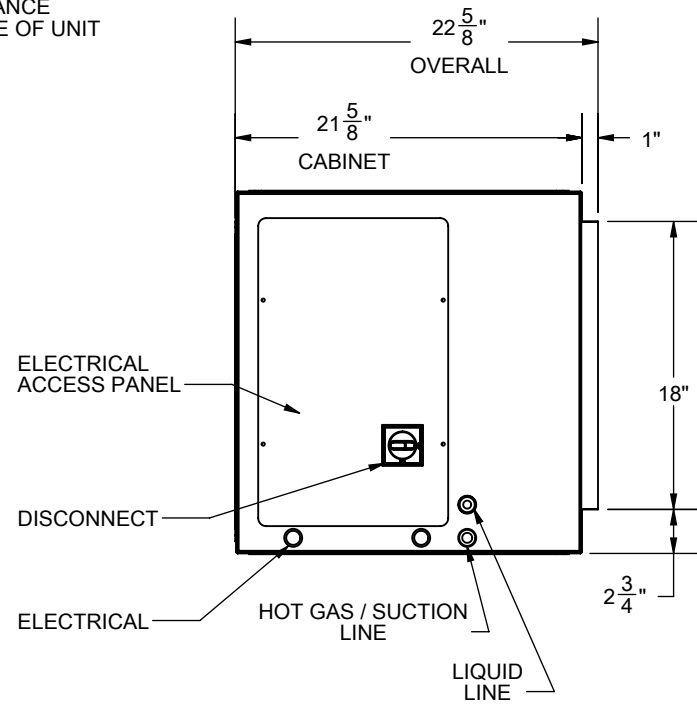
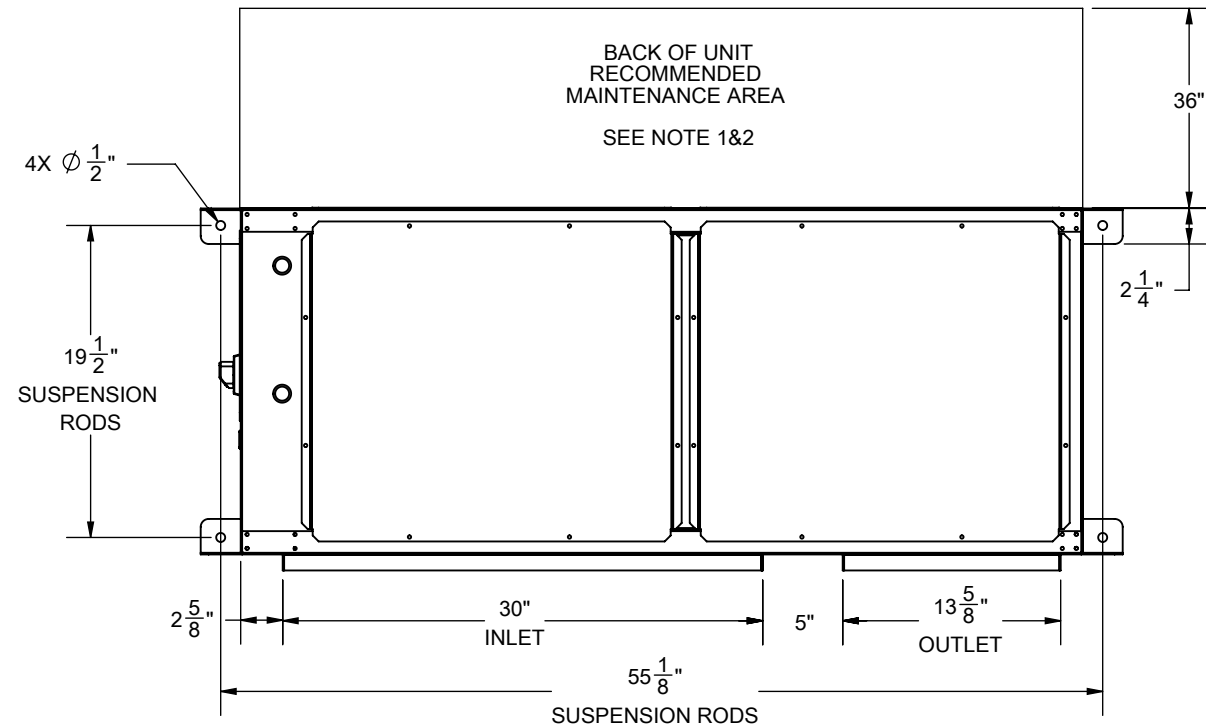
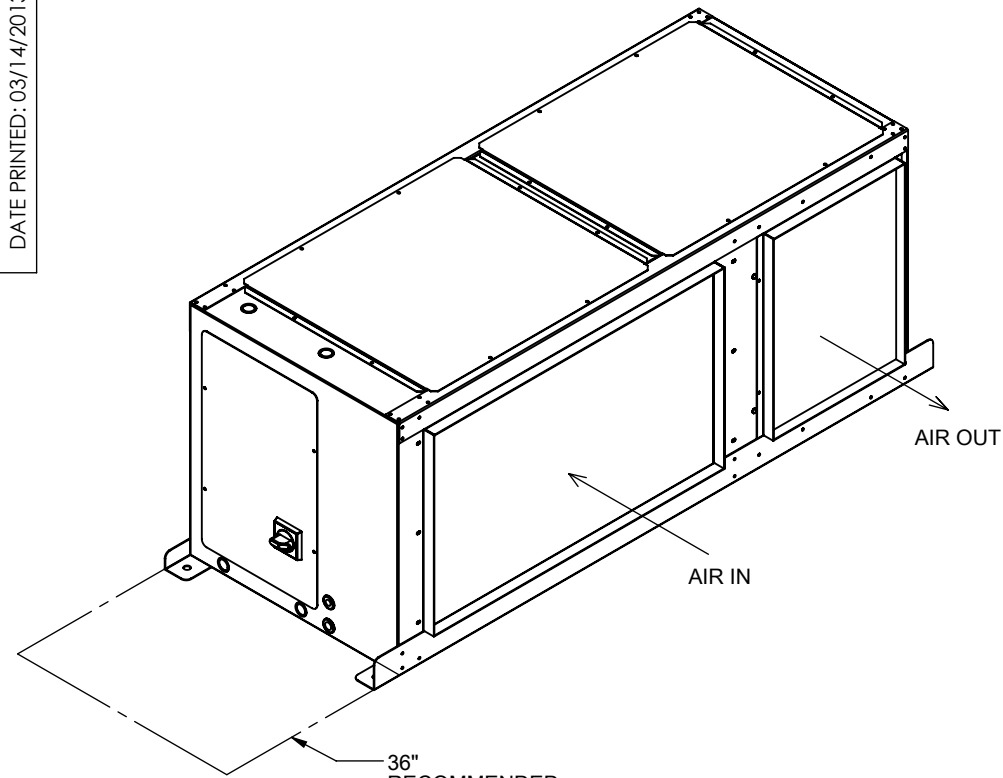


DATE PRINTED: 03/14/2013

| REVISIONS |                           |            |          |
|-----------|---------------------------|------------|----------|
| REV.      | DESCRIPTION               | DATE       | APPROVED |
| A         | UPDATED AFTER FIRST BUILD | 03/13/2013 | CL       |
| -         | -                         | -          | -        |



NOTES:

- NOTES:
- 1- CONDENSER UNIT: NEED BOTTOM OR BACK ACCESS FOR MAINTENANCE.
  - 2- CONDENSING UNIT: NEED BACK ACCESS FOR MAINTENANCE

| PIPING CONNECTION SIZE           |         |          |
|----------------------------------|---------|----------|
|                                  | 3 TONS  | 4-5 TONS |
| LIQUIDE LINE ODM in              | 3/8"    | 1/2"     |
| HOT GAS LINE ODM in              | 5/8"    | 5/8"     |
| SUCTION LINE ODM in              | 7/8"    | 7/8"     |
| WEIGHT                           |         |          |
| ESTIMATED WEIGHT CONDENSER UNIT  | 330 LBS |          |
| ESTIMATED WEIGHT CONDENSING UNIT | 400 LBS |          |

ODM: Outside Diameter of copper pipe in inches for soldering

IN FOLDER V:\ClimateWorx\Series 11 BMP drawings\SUBMITTAL DRAWINGS\

**CONFIDENTIAL:** THE COPYRIGHT OF THIS DOCUMENT IS RESERVED BY CLIMATEWORX. THIS DOCUMENT IS ISSUED ON THE CONDITION THAT IT IS NOT COPIED, REPRODUCED OR DISCLOSED TO ANY OTHER PARTY WITHOUT WRITTEN CONSENT OF CLIMATEWORX.

UNLESS OTHERWISE SPECIFIED DIMENSIONS ARE IN INCHES  
TOLERANCES:  
FRACTIONAL  $\pm 1/8$   
ANGULAR:  $\pm 0.5^\circ$  BEND  $\pm 2^\circ$   
DECIMAL  
XXX =  $\pm .010$   
XX =  $\pm .020$   
X =  $\pm .030$   
HOLE DIA. +.003/- .000

THIRD ANGLE PROJECTION



|             | BY | DATE       |
|-------------|----|------------|
| DRAWN       | CL | 03/13/2013 |
| CHECKED     | GB | 03/13/2013 |
| CNC PROGRAM |    |            |
| FINISH:     |    |            |
| MATERIAL    |    | THICKNESS  |



FINAL ASSEMBLY  
S11 INDOOR CONDENSER / CONDENSING UNIT  
3-5 TONS CEILING MOUNTED - FULLY DUCTED

PART NAME SUBMITTAL

SIZE DWG. NO. S11D-DD-A-300-004

REV. SEE TABLE

BD K SCALE: 1:20 SHEET 1 OF 1