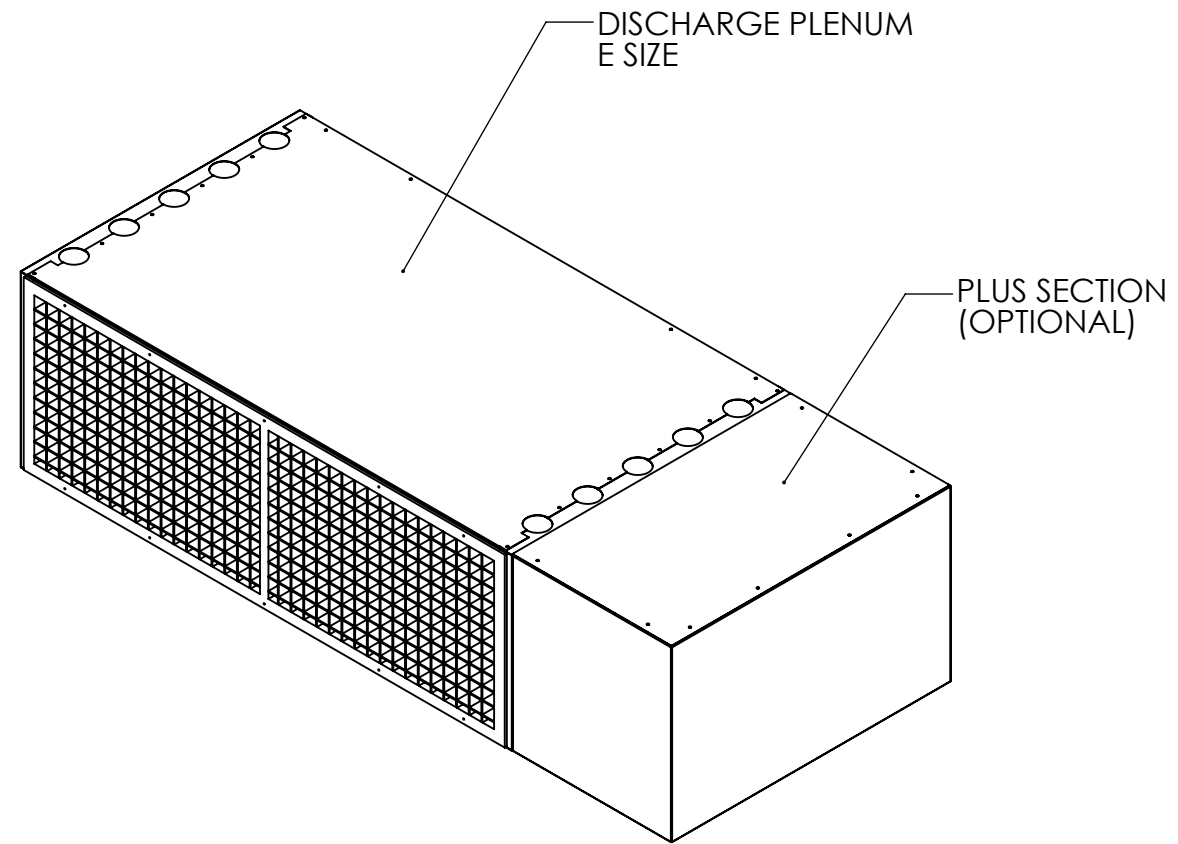
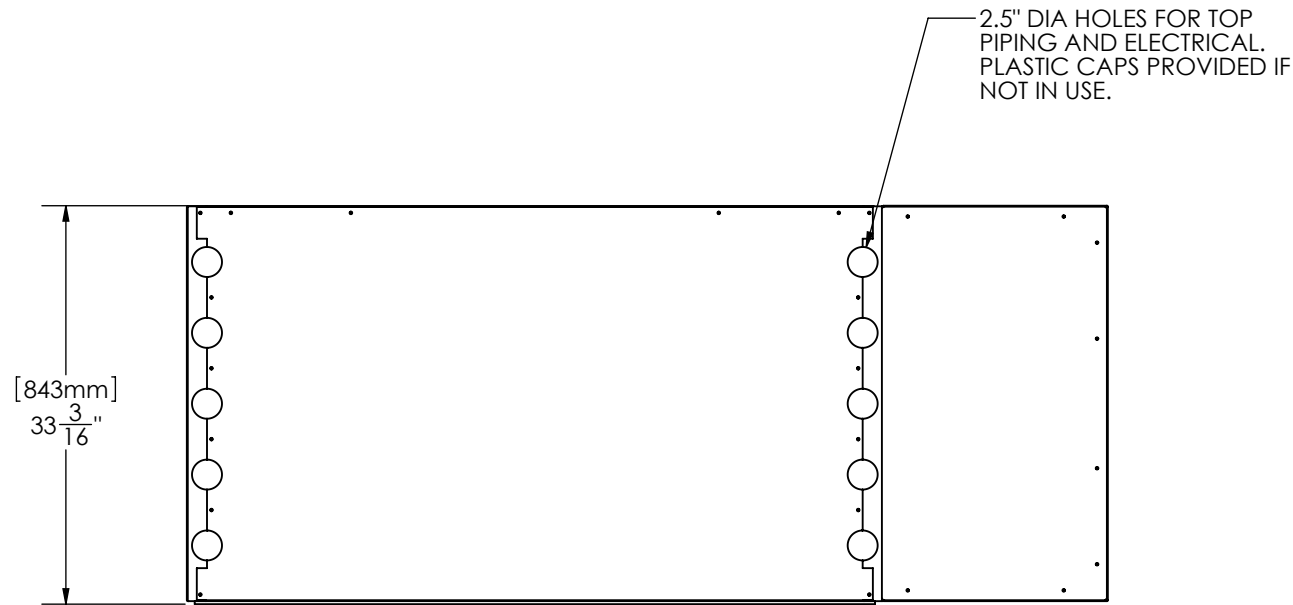
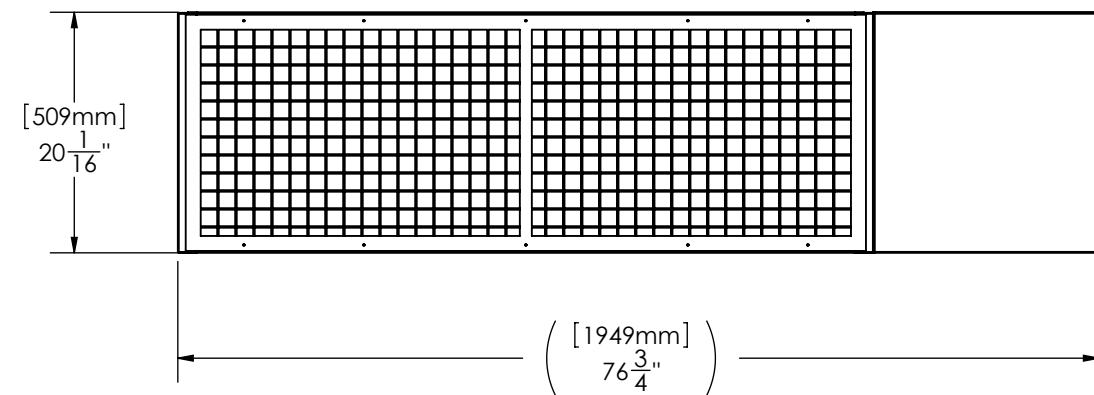


DATE PRINTED: 3/28/2013

| REVISIONS | | | |
|-----------|-------------|------|----------|
| REV. | DESCRIPTION | DATE | APPROVED |
| - | - | - | - |
| - | - | - | - |



NOTES:



NOTE

THIS PLENUM CAN BE INSTALLED EITHER BEFORE OR AFTER PIPINGS ARE INSTALLED.

UNLESS OTHERWISE SPECIFIED DIMENSIONS ARE IN INCHES
TOLERANCES:
FRACTIONAL ± 1/8
ANGULAR: ± 0.5° BEND ± 2°
DECIMAL
XXX = ± .010
XX = ± .020
X = ± .030
HOLE DIA. +.003/- .000

THIRD ANGLE PROJECTION



| | BY | DATE |
|-------------|------|---------------|
| DRAWN | I.Z. | 01/13/2010 |
| CHECKED | P.S. | 01/13/2010 |
| CNC PROGRAM | | |
| | | |
| | | |
| FINISH: | | |
| MATERIAL | N/A | THICKNESS N/A |



| | | | |
|----------------|----------|--------------------------|--------------------------|
| FINAL ASSEMBLY | | DISCHARGE PLENUM, UPFLOW | |
| | | E WITH PLUS A | |
| PART NAME | | 500-500-0049 | |
| SIZE | DWG. NO. | REV. | SEE TABLE |
| B | SPUP-EA | | |
| BD | N/A | K | SCALE: 1:20 SHEET 1 OF 1 |

CONFIDENTIAL: THE COPYRIGHT OF THIS DOCUMENT IS RESERVED BY CLIMATEWORX. THIS DOCUMENT IS ISSUED ON THE CONDITION THAT IT IS NOT COPIED, REPRODUCED OR DISCLOSED TO ANY OTHER PARTY WITHOUT WRITTEN CONSENT OF CLIMATEWORX.