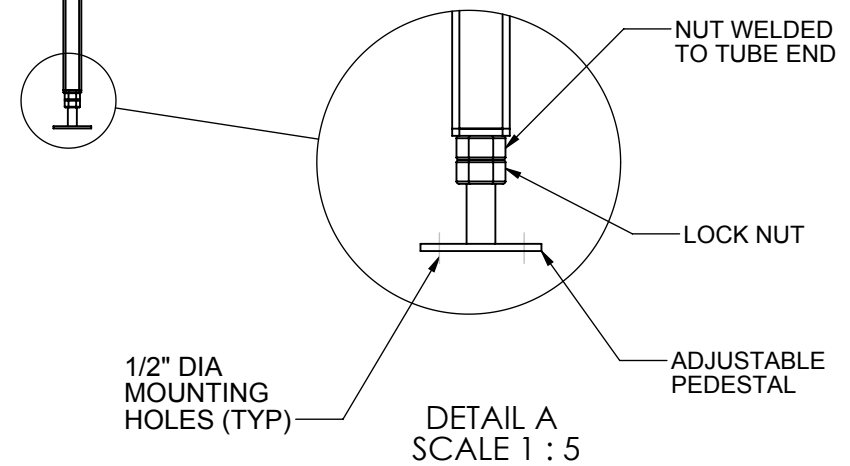
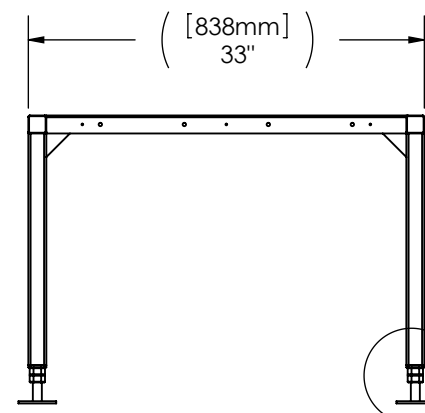
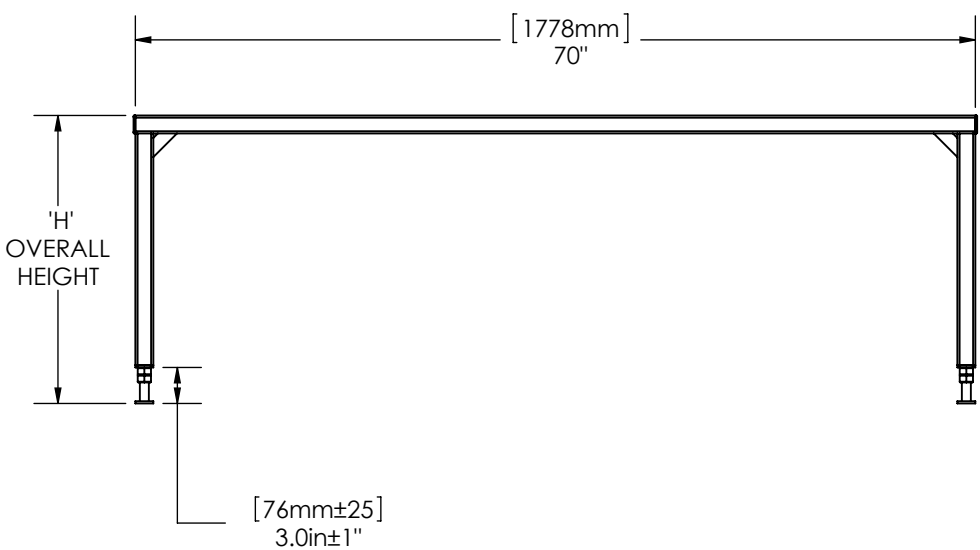
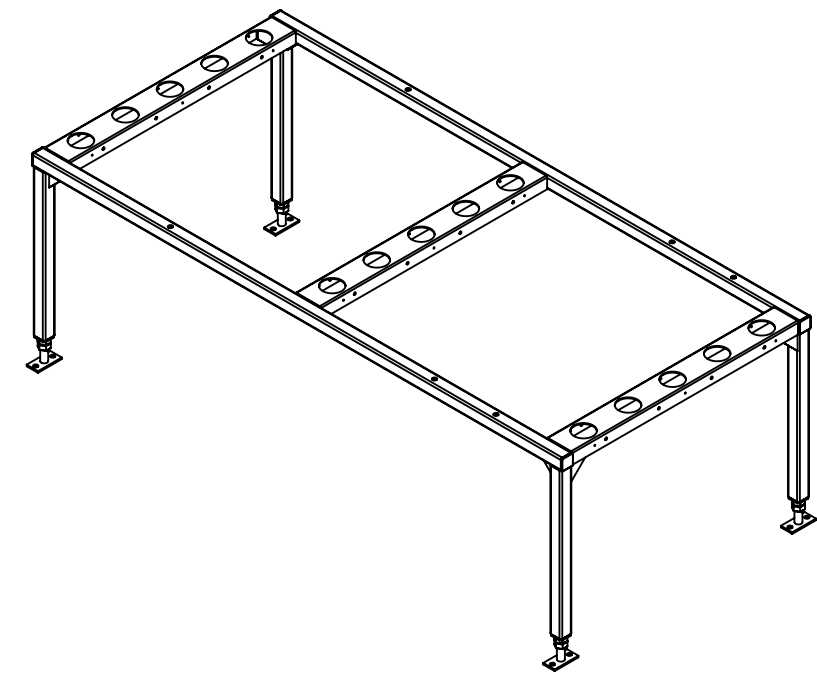
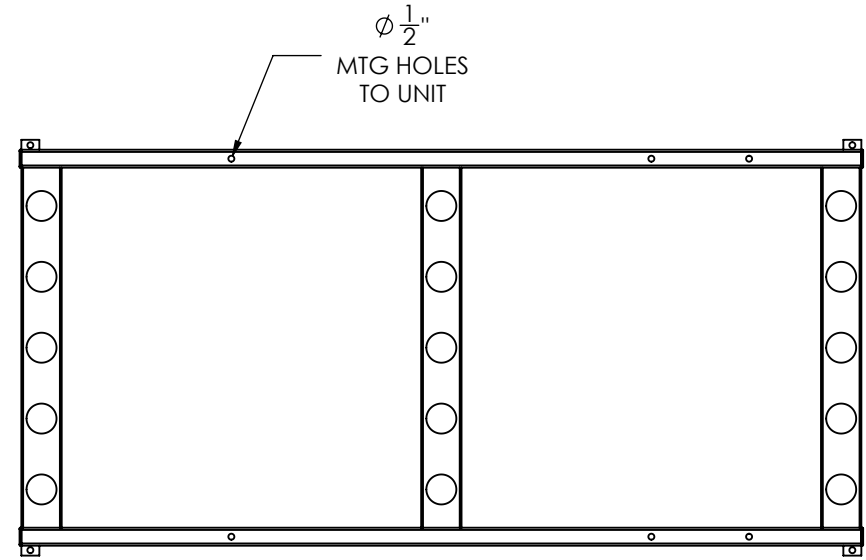


DATE PRINTED: 4/9/2013

REVISIONS			
REV.	DESCRIPTION	DATE	APPROVED
-	-	-	-
-	-	-	-



NOTES:

NOTES:
 FLOORSTAND MATERIAL:
 STRUCTURAL STEEL TUBE 1.5"x1.5"x1/8" WALL THICKNESS
 FLOORSTAND FINISH:
 BLACK SMOOTH POWDERCOAT
 OVERALL HEIGHT:
 MODEL AS SHOWN, SEE TABLE. OTHER HEIGHTS MAY NOT BE AS SHOWN AND MAY BE ON A DIFFERENT DRAWING.
 HEIGHTS NOT LISTED AVAILABLE ON REQUEST.

OVERALL HEIGHT "H"	PART NUMBER
12"	780-100-0073
18"	780-100-0083
24"	780-100-0093

UNLESS OTHERWISE SPECIFIED DIMENSIONS ARE IN INCHES
 TOLERANCES:
 FRACTIONAL ± 1/8
 ANGULAR: ± 0.5° BEND ± 2°
 DECIMAL
 XXX = ±.010
 XX = ±.020
 X = ±.030
 HOLE DIA. +.003/-0.000

	BY	DATE
DRAWN	PS	08/31/2009
CHECKED	IZ	08/31/2009
CNC PROGRAM		
FINISH:	BLACK SMOOTH POWDERCOAT	
MATERIAL	N/A	THICKNESS N/A

		FINAL ASSEMBLY	
		FLOOR STAND 12", 18", 24"	
SUBMITTAL DRAWING		PART NAME	
SEE TABLE		SEE TABLE	
SIZE	DWG. NO.	REV.	SEE TABLE
B	SPDF-F		
BD	N/A	K	SCALE: 1:20 SHEET 1 OF 1

CONFIDENTIAL: THE COPYRIGHT OF THIS DOCUMENT IS RESERVED BY CLIMATEWORX. THIS DOCUMENT IS ISSUED ON THE CONDITION THAT IT IS NOT COPIED, REPRODUCED OR DISCLOSED TO ANY OTHER PARTY WITHOUT WRITTEN CONSENT OF CLIMATEWORX.

