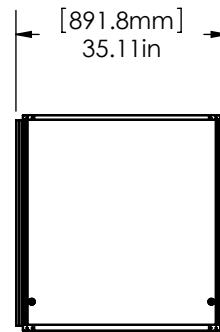
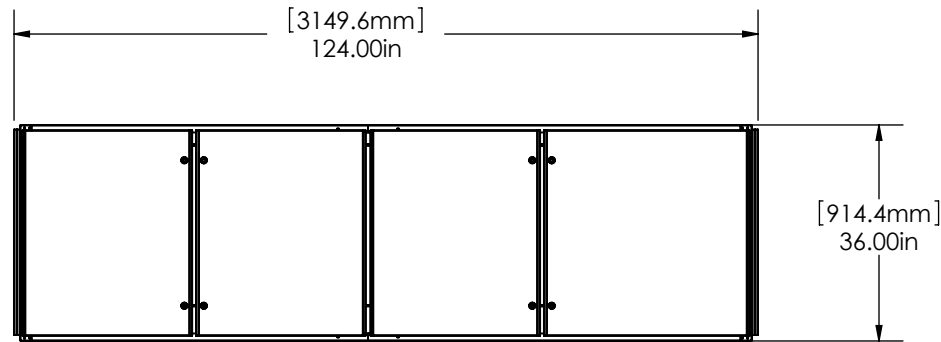
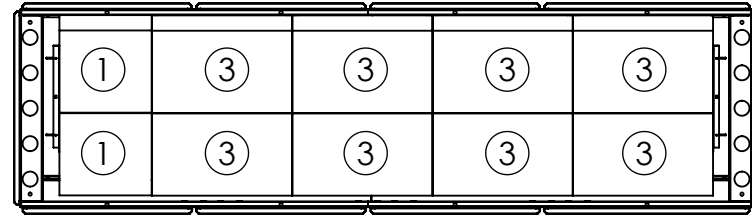


DATE PRINTED: 3/27/2013

REVISIONS			
REV.	DESCRIPTION	DATE	APPROVED
-	-	-	-
-	-	-	-



INSULATION SEE NOTE

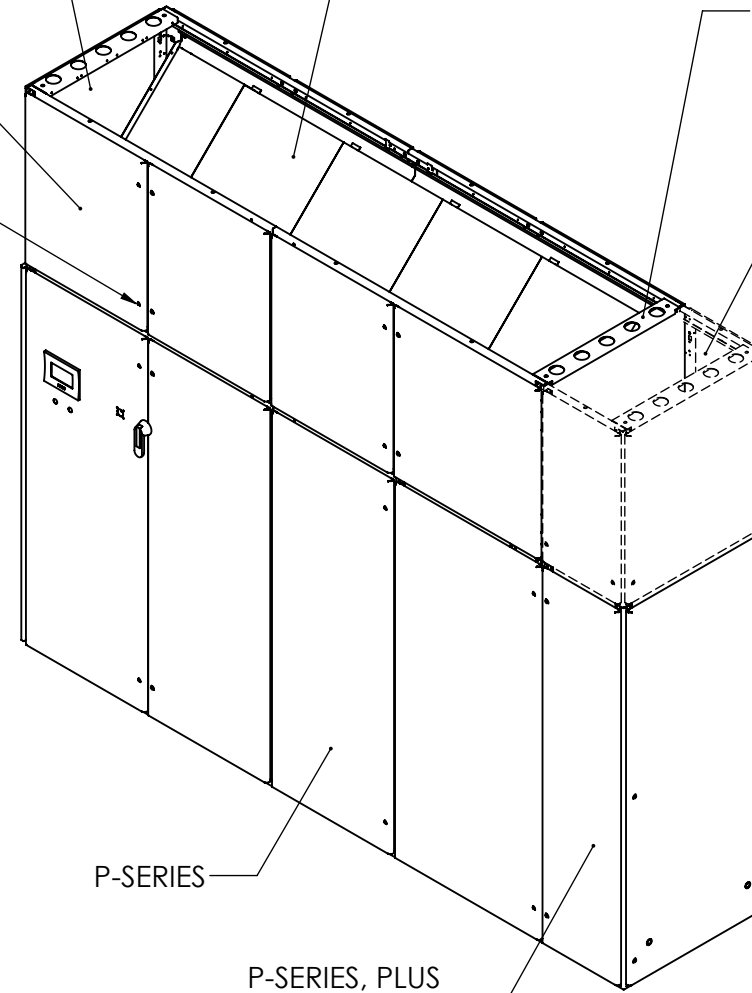
HINGED DOORS FOR RETURN AIR FILTERS REMOVAL

1/4" TURN FASTENER FOR EASY ACCESS

RETURN AIR FILTERS

FACTORY PROVISION FOR TOP PIPING. THIS SIDE ONLY.

OPTIONAL PLENUM PLUS (A) SECTION AVAILABLE



NOTES:

TABLE OF FILTERS USED

ITEM	FILTER SIZE	QTY
1	16X20X4	2
2	20X20X4	-
3	20X24X4	8
4	20X25X4	-

NOTE: OTHER FILTER ARRANGEMENTS ARE AVAILABLE UPON REQUEST.

NOTE:

- 1/4" -UNIFOAM S82N UL-94 HF-1. (OPTIONAL).
- FIBRE INSULATION. NFPA-90A. A MIN 1" THICK, 24 kg/m3 (1 1/2 lb/ft3) DENSITY FIBRE INSULATION.

UNLESS OTHERWISE SPECIFIED DIMENSIONS ARE IN INCHES  
 TOLERANCES:  
 FRACTIONAL ± 1/8  
 ANGULAR: ± 0.5° BEND ±2°  
 DECIMAL  
 XXX = ±.010  
 XX = ±.020  
 X = ±.030  
 HOLE DIA. +.003/-0.000

THIRD ANGLE PROJECTION

	BY	DATE
DRAWN	IZ	11/06/2009
CHECKED	GN	11/06/2009
CNC PROGRAM		
FINISH:	TEXTURED POWDERCOAT	
MATERIAL	N/A	THICKNESS N/A



FINAL ASSEMBLY		DOWNFLOW DISCHARGE PLENUM
		SPDP-JP
PART NAME		SPDP-JP
SIZE	DWG. NO.	SPDP-JP
REV.	SEE TABLE	
BD	N/A	K
SCALE:	1:20	SHEET 1 OF 1

**CONFIDENTIAL:** THE COPYRIGHT OF THIS DOCUMENT IS RESERVED BY CLIMATEWORX. THIS DOCUMENT IS ISSUED ON THE CONDITION THAT IT IS NOT COPIED, REPRODUCED OR DISCLOSED TO ANY OTHER PARTY WITHOUT WRITTEN CONSENT OF CLIMATEWORX.