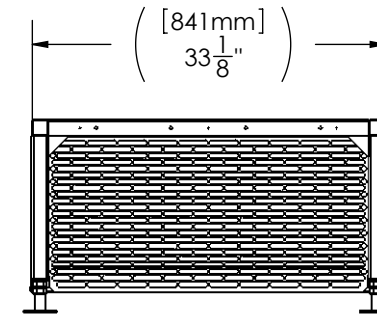
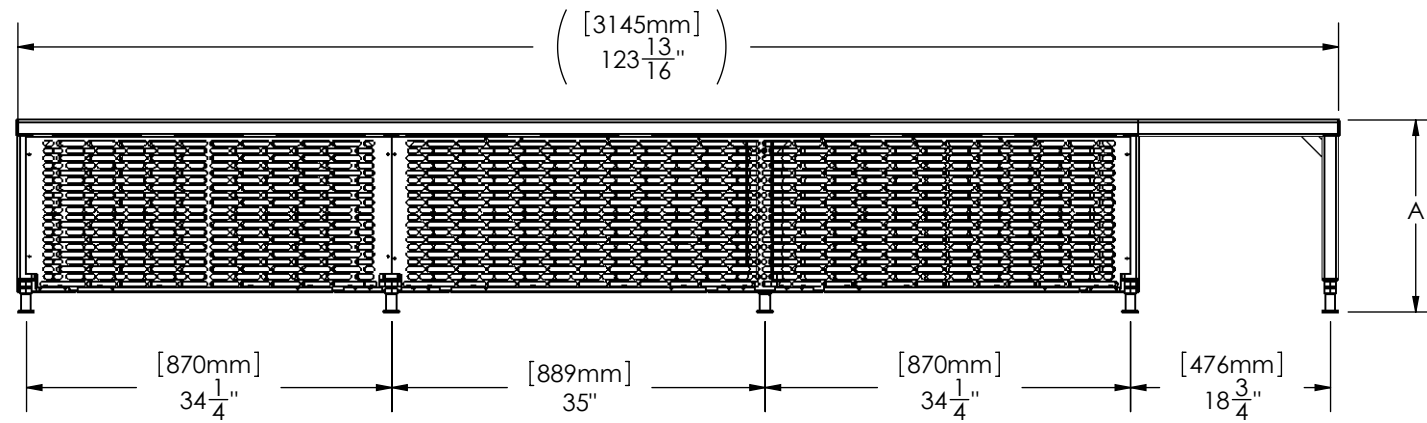
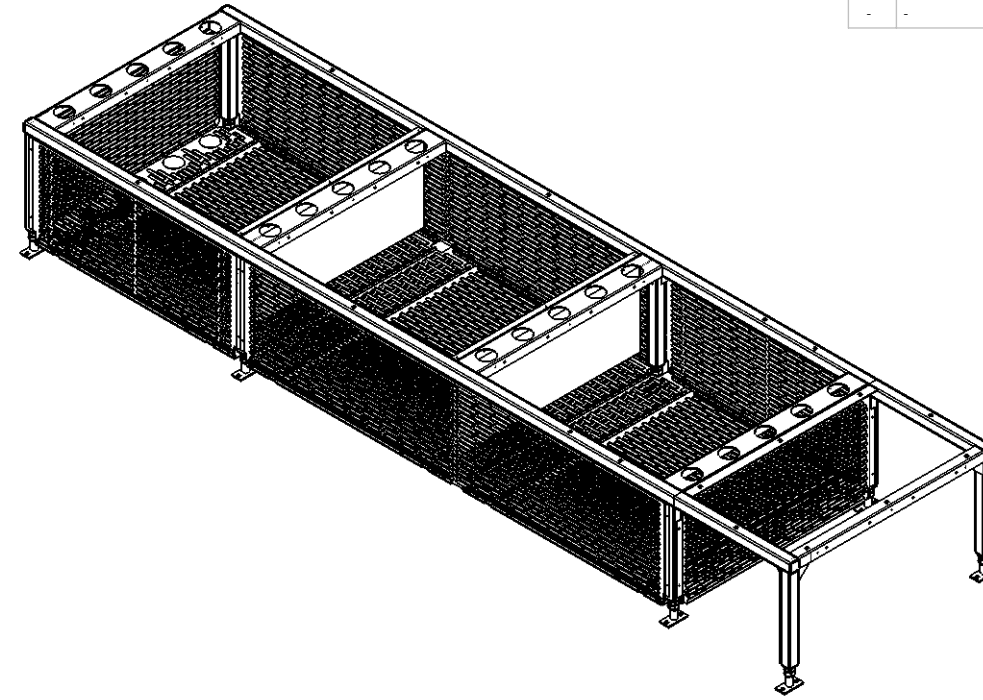
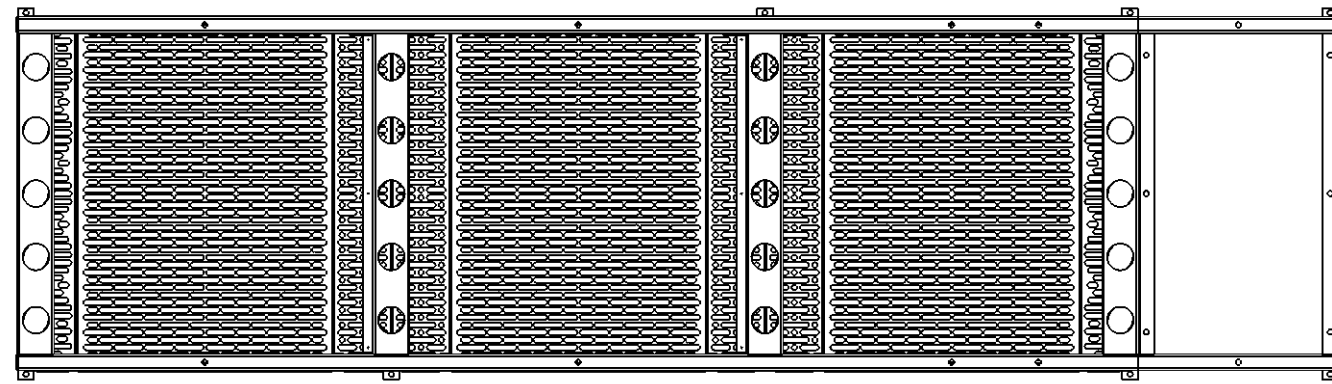


DATE PRINTED: 3/28/2013

REVISIONS			
REV.	DESCRIPTION	DATE	APPROVED
-	-	-	-
-	-	-	-

NOTES:



A (HEIGHT)	ASSEMBLY PART NUMBER	FLOOR STAND PART NUMBER (ITEM 1)	FLOOR STAND, PLUS A, PART NUMBER (ITEM 2)
18"	580-120-0030-18	580-120-0017-18	780-100-0078
24"	580-120-0030-24	580-120-0017-24	780-100-0088

CONFIDENTIAL: THE COPYRIGHT OF THIS DOCUMENT IS RESERVED BY CLIMATEWORX. THIS DOCUMENT IS ISSUED ON THE CONDITION THAT IT IS NOT COPIED, REPRODUCED OR DISCLOSED TO ANY OTHER PARTY WITHOUT WRITTEN CONSENT OF CLIMATEWORX.

UNLESS OTHERWISE SPECIFIED DIMENSIONS ARE IN INCHES
 TOLERANCES:
 FRACTIONAL ± 1/8
 ANGULAR: ± 0.5° BEND ± 2°
 DECIMAL
 XXX = ± .010
 XX = ± .020
 X = ± .030
 HOLE DIA. +.003/-0.000

THIRD ANGLE PROJECTION



	BY	DATE
DRAWN	I.Z.	02/09/2010
CHECKED	P.S.	02/09/2010
CNC PROGRAM		
FINISH:	NONE	
MATERIAL	N/A	THICKNESS N/A

CLIMATEWORX INTERNATIONAL	
FINAL ASSEMBLY	FLOOR STAND, STANDARD COOLING, 12'-24", 95 TO 111 KW, WITH OSHA GUARD
PART NAME	SPDF-O-HA
SIZE	DWG. NO. SPDF-O-HA
REV.	SEE TABLE
BD	N/A K
SCALE:	1:20
SHEET	1 OF 1