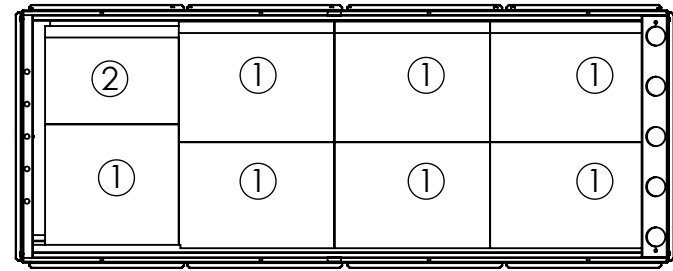


DATE PRINTED: 3/27/2013

REVISIONS			
REV.	DESCRIPTION	DATE	APPROVED
-	-	-	-

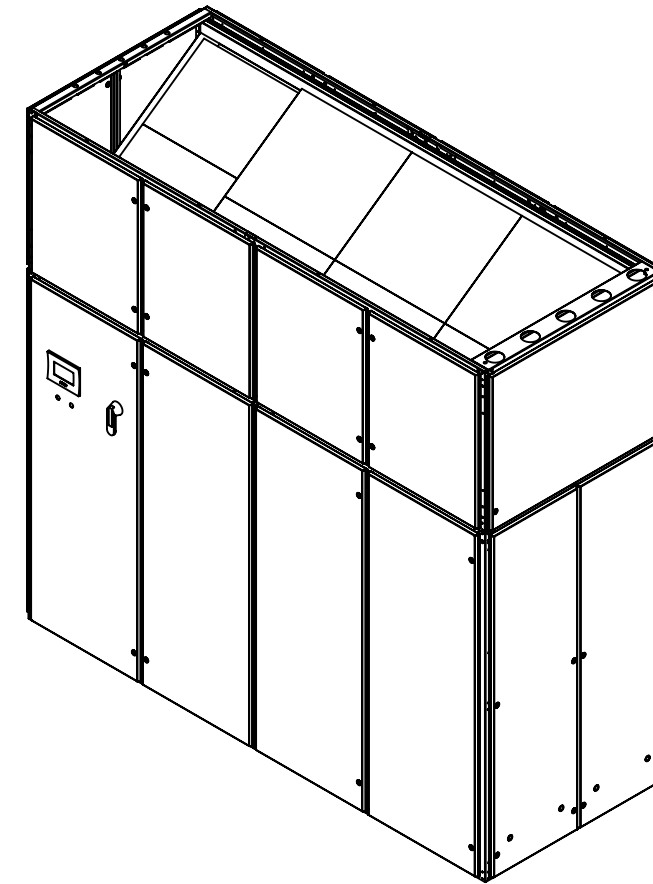
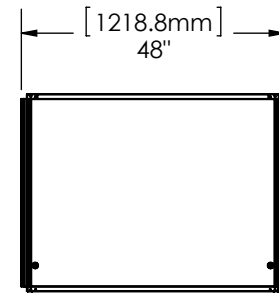
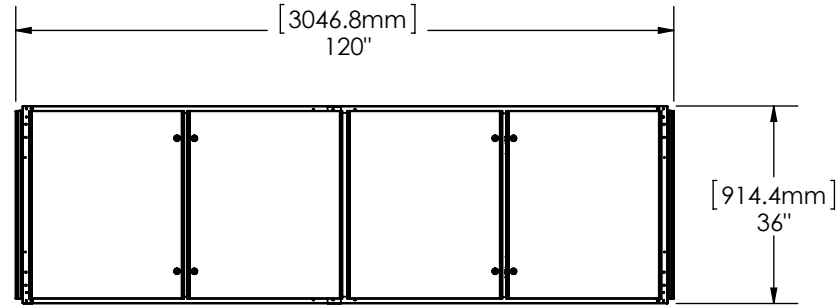


INSULATION
1/4"-UNIFOAM S82N 4L-94 HF-1

HINGE DOORS W/
1/4" TURN FASTENER
FOR
SIDE FILTER ACCESS

RETURN
AIR FILTERS

FACTORY PROVISION FOR
TOP PIPING



NOTES:

TABLE OF FILTERS

ITEM	FILTER SIZE	QTY
1	25X29X4	7
2	20X25X4	1

UNLESS OTHERWISE SPECIFIED
DIMENSIONS ARE IN INCHES
TOLERANCES:
FRACTIONAL ± 1/8
ANGULAR: ± 0.5° BEND ± 2°
DECIMAL
XXX = ±.010
XX = ±.020
X = ±.030
HOLE DIA. +.003/-0.000

THIRD ANGLE PROJECTION

	BY	DATE
DRAWN	CL	05/13/2010
CHECKED	-	05/13/2010
CNC PROGRAM		
FINISH:		
MATERIAL	N/A	THICKNESS N/A



FINAL ASSEMBLY
DOWNFLOW DISCHARGE PLENUM
SUBMITTAL DRAWING

PART NAME
SPDP-LP

SIZE DWG. NO.
B SPDP-LP

REV.
SEE TABLE

CONFIDENTIAL: THE COPYRIGHT OF THIS DOCUMENT IS RESERVED BY CLIMATEWORX.
THIS DOCUMENT IS ISSUED ON THE CONDITION THAT IT IS NOT COPIED, REPRODUCED OR DISCLOSED TO ANY
OTHER PARTY WITHOUT WRITTEN CONSENT OF CLIMATEWORX.



SCALE: 1:20 SHEET 1 OF 1